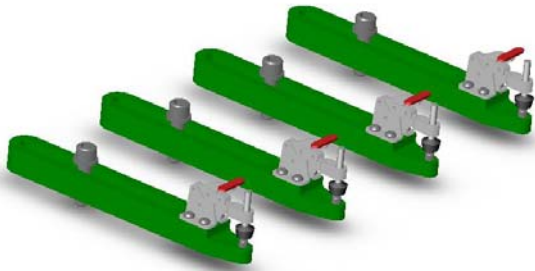


Price List

Modular Arm Fixture Kit

Part Number: 80-00003



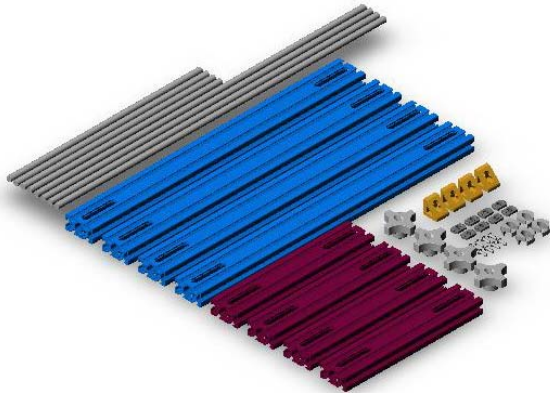
\$650.00

(complete kit includes 4 arms)



Modular Bar Fixture Kit

Part Number: 80-00002



\$750.00

(complete kit as shown)



Adaptive Innovations

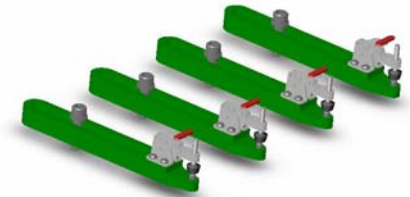
Adaptive Innovations Corporation
1315 Nelson St. Suite 8
Lakewood, CO 80215

Phone: 303-362-0400
Fax: 720-554-8042
Email: info@a-i-corp.com

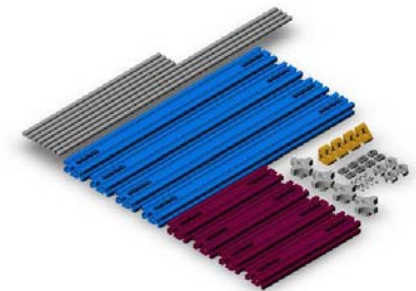
www.a-i-corp.com



**Delivering Service,
Solutions, and
Satisfaction**



***Basic
HALT Fixture
Kits***



Adaptive Innovations Corporation
1315 Nelson St. Suite 8
Lakewood, CO 80215

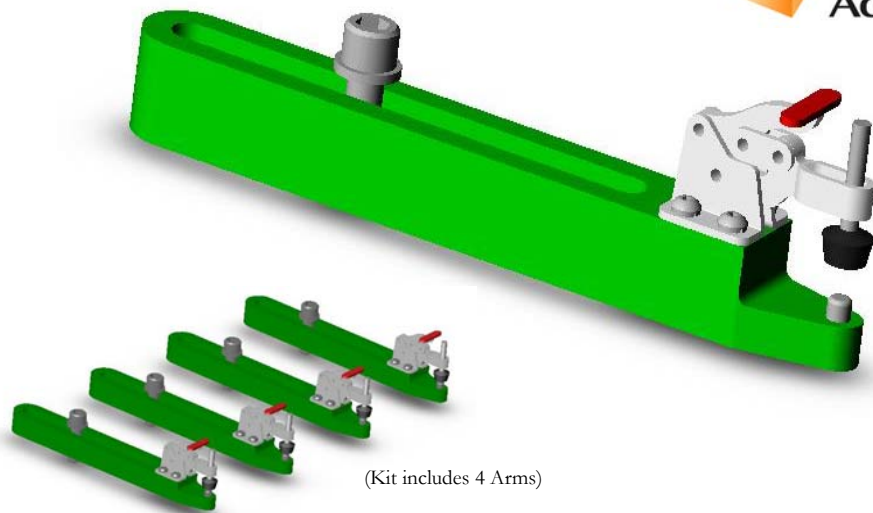
Phone: 303-362-0400
Fax: 720-554-8042
Email: info@a-i-corp.com

www.a-i-corp.com

Modular Arm Fixture Kit



Adaptive Innovations



(Kit includes 4 Arms)

Purpose and Use:

The Modular Arm Fixture Kit allows the mounting of an electrical card or PCB to a HALT/HASS Vibration Table. The arm, slot, and clamp geometry are designed to provide flexible mounting locations for almost any size card. Using a single 3/8-16 bolt allows for rotational flexibility, while the 5" slot allows for linear adjustments.

Cards are clamped to the arm between a steel pin and black neoprene plunger. The adjustable clamp accommodates a wide range of card thicknesses, and provides adjustable clamping force (up to 150 lbs.). By clamping to a pin and plunger, minimal thermal mass is added to the card for optimal thermal transition rates. Custom pins can optionally be designed and machined for improved card mounting solutions.

Multiple kits can be used to mount complex card assemblies or mount multiple cards simultaneously.

Design Details:

CNC Machined Modular Arm:

- Constructed of 6061-T6 CNC machined Aluminum.
- 5" slot designed for mounting with 3/8-16 fasteners (included).
- Flat bottom surface provides a rigid mounting base once bolted to table.
- Clear Anodize Finish protects the assembly from corrosion.

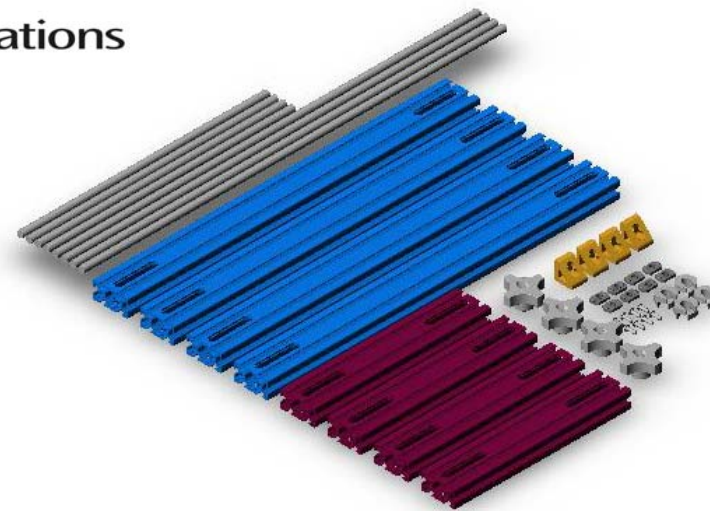
Adjustable Clamp and Plunger:

- Clamp is adjustable for linear position, jaw height, and clamping force (up to 150 lbs.).
- Neoprene plunger provides a forgiving clamping surface to protect cards during testing.
- Cam-Over clamp design locks cards into place and provides repeatable clamping force.
- Neoprene plunger is perfect for most applications where temperatures do not exceed 110° C. (For higher temperature requirements, an alternate plunger is recommended.)

Mounting Pin:

- 1/4" standard fit pin constructed of hardened, 316 stainless steel.
- Obtainable, off-the-shelf, pins can be acquired in many lengths. (5/8" length standard and included)
- To change pins, simply push out existing pin and press in new pin.
- Custom pins can be designed and machined to provide specific card mounting solutions.
- Standard pin is slightly magnetic. If magnetics conflict with product operations, an aluminum, brass or composite pin is recommended.

Modular Bar Fixture Kit



Purpose and Use:

This modular fixture kit is designed to offer introductory HALT fixturing for a multitude of applications. This fixture kit provides for the mounting of most assembly level products from power supplies to servers. The extruded bars can be used to span most products under test and are machined with slots for optimal mounting flexibility. The bars are used to clamp the product to the table. The kit is composed of 48 pieces and includes:

Qty.	Item	Details
4	3/8-16 X 14" Threaded Rod	Mounts to most HALT/HASS vibration tables
4	3/8-16 X 23" Threaded Rod	Mounts to most HALT/HASS vibration tables
4	1" X 2" X 20" Extruded Aluminum	Lightweight, stiff, low thermal mass, spans holes from 15"-19" apart, slots allow multiple mounting positions
4	1" X 2" X 10" Extruded Aluminum	Lightweight, stiff, low thermal mass, spans holes from 5"-9" apart, slots allow multiple mounting positions
4	Quick Knobs	Allow user to slide knob over threaded rod until engagement and then tighten for quick installation
4	3/8-16 Split Lock Nuts	Allow user to install nut over threaded rod at engagement and then tighten for quick installation
4	Angle Brackets	Allow user to customize assembly of extruded aluminum to optimize kit
8	1/4-20 T-Nuts	Used in conjunction with angle brackets and extruded aluminum
8	1/4-20 BHSCS	Used in conjunction with angle brackets and extruded aluminum
8	3/8 Flat Washers	Used to ensure surface area contact while tightening with knobs or nuts
8	3/8-16 Hex Nuts	Used to tighten fixture bars over product when a specific torque is required or Knobs/split nuts do not apply enough torque